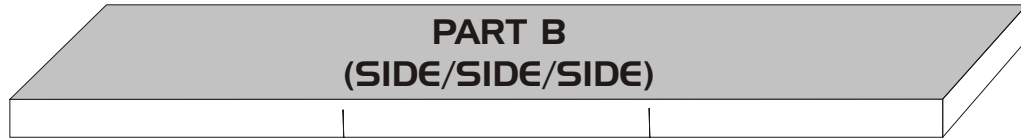
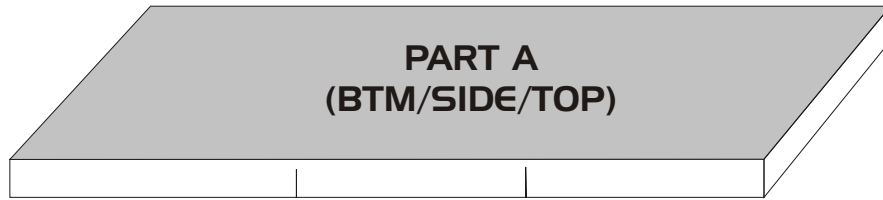
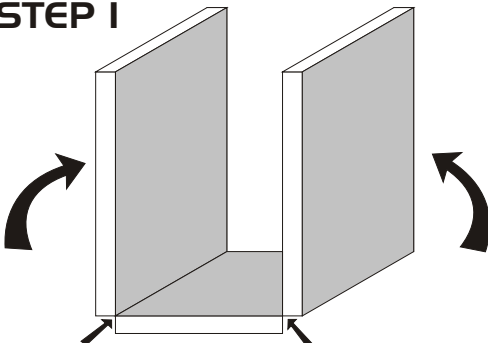


MATERIAL



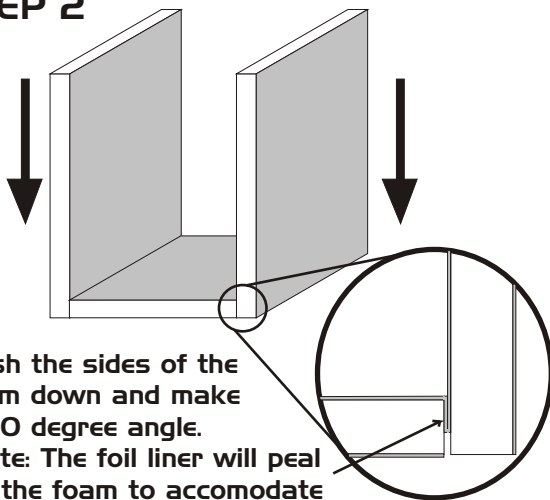
FOAM ASSEMBLY

STEP 1



Snap the foam at the seams and fold upwards.

STEP 2

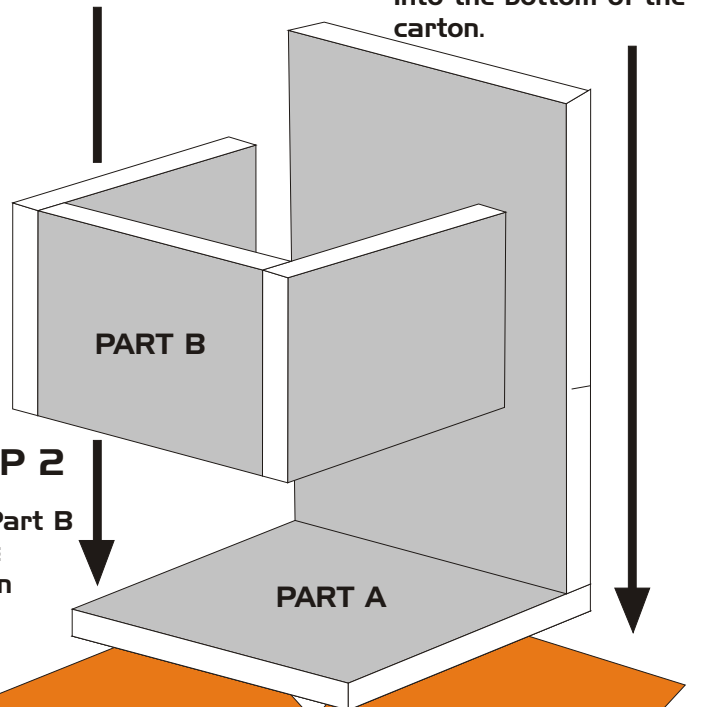


Push the sides of the foam down and make a 90 degree angle.
(Note: The foil liner will peel off the foam to accomodate this action.)

ASSEMBLY INSTRUCTIONS

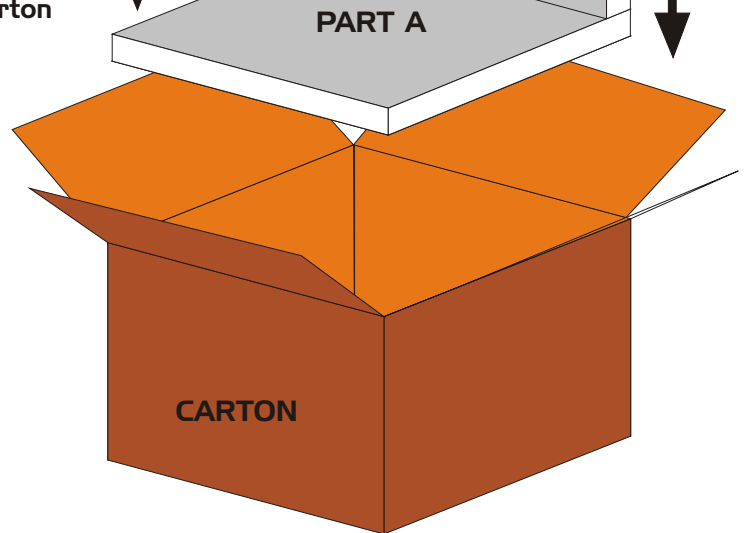
STEP 1

Take part A (BTM) form an L shape and slide into the bottom of the carton.



STEP 2

Add Part B to the Carton



STEP 3

Finish the carton by adding your product and folding the top of Part A over.

